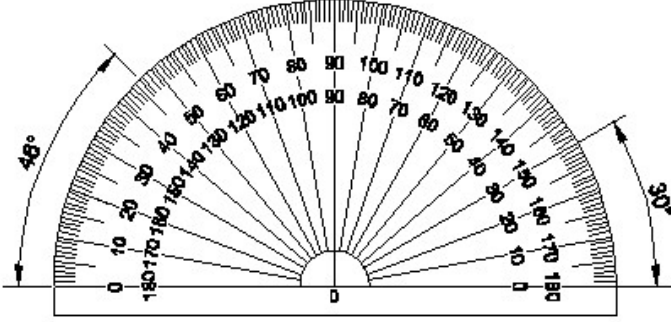


Student Name: \_\_\_\_\_

Roll No: \_\_\_\_\_

1. Identify the name of instrument? | ಉಪಕರಣದ ಹೆಸರನ್ನು ಗುರುತಿಸುವುದೇ?



- A) French curve | ಫ್ರೆಂಚ್ ಕರ್ವ್ B) Set square | ಸೆಟ್ ಸ್ಕ್ವೇರ್  
C) Protractor | ಪ್ರೊಟ್ರಾಕ್ಟರ್ D) T square | ಟಿ ಸ್ಕ್ವೇರ್

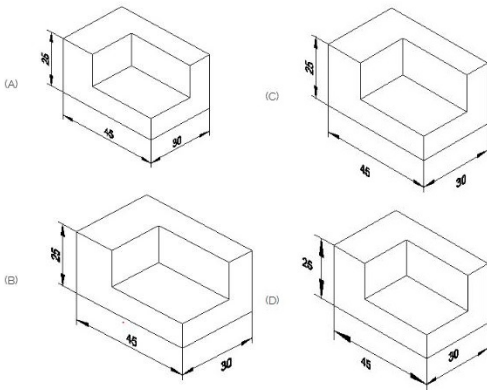
2. What is the potential energy, if a body of mass 250 kg is at a height of 30 metre?

- A) 74.57 KJ B) 75.57 KJ  
C) 72.57 KJ D) 73.57 KJ

3. What is the unit of speed?

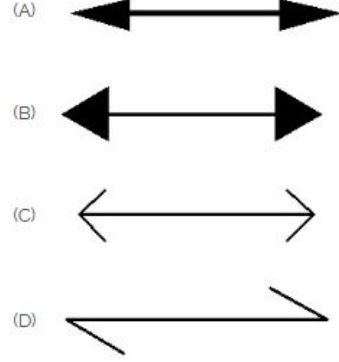
- A) Metre/hour B) Metre/minute  
C) Metre/second D) Metre/second<sup>2</sup>

4. Which drawing dimension is correct as per standard drawing practice? | ಸ್ಟಾಂಡರ್ಡ್ ಡ್ರಾಯಿಂಗ್ ಅಭ್ಯಾಸದ ಪ್ರಕಾರ ಯಾವ ಡ್ರಾಯಿಂಗ್ ಆಯಾಮ ಸರಿಯಾಗಿದೆ?



- A) A B) C  
C) B D) D

5. Which arrow head is correct as per standard? | ಮಾನದಂಡದ ಪ್ರಕಾರ ಯಾವ ಬಾಣದ ಹೆಡ್ ಸರಿಯಾಗಿದೆ?



- A) A B) D  
C) B D) C

6. Which component is replaced to prevent air entering the refrigerator cabinet?

- A) Door hinges B) Thermostat  
C) Door gasket D) Door paint

7. Which component defrosts in frost free refrigerator?

- A) Bulb B) Capillary tube  
C) Thermostat D) Heater

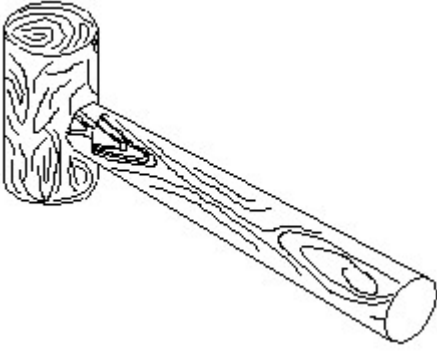
8. What is velocity of a body travels a distance of 168 metres in a line in 21 seconds?

- A) 8 m/sec B) 6 m/sec  
C) 10 m/sec D) 12 m/sec

9. How the capacity of refrigerator is expressed?

- A) Weightage B) Wattage  
C) Tonnage D) Litres

10. Identify the name of tool? | ಉಪಕರಣದ ಹೆಸರನ್ನು ಗುರುತಿಸುವುದೇ?



- A) Ball pein hammer | ಬಾಲ್ ಪೆನ್ ಸುತ್ತಿಗೆ  
 B) Mallet | ಮ್ಯಾಲೆಟ್  
 C) Straight pein hammer | ಸ್ಟ್ರೇಟ್ ಪೆನುನ್ ಸುತ್ತಿಗೆ  
 D) Cross pein hammer | ಕ್ರಾಸ್ ಪೆನ್ ಸುತ್ತಿಗೆ

11. Which sheet is used to check the tightness of door gasket of a refrigerator?

- A) Rubber  
 B) Zinc  
 C) Plastic  
 D) Copper

12. Which domestic system uses automatic defrost?

- A) Split air - conditioner  
 B) Window air - conditioner  
 C) Frost free refrigerator  
 D) Conventional refrigerator

13. What is the advantage of sealed system compared to open type system?

- A) Cylinder lubrication is easier  
 B) Any refrigerant can be used  
 C) Mechanical efficiency is greater  
 D) No shaft seal is required

14. Which electrical control cuts off heating element in frost free refrigerator?

- A) Timer  
 B) Thermostat  
 C) Bimetal thermo  
 D) Relay

15. What is the temperature maintained in the refrigerator freezer?

- A) 0 Degree Centigrade  
 B) - 65 Degree Centigrade  
 C) - 45 Degree Centigrade  
 D) - 15 Degree Centigrade

16. Which movement of plunger energises the start winding in relay operation?

- A) Horizontally left  
 B) Vertically up  
 C) Bottom side  
 D) Vertically down

17. Which component switches ON/OFF the starting winding in RSIR motor?

- A) Relay  
 B) Capacitor  
 C) OLP  
 D) Thermostat

18. Which component actuates the defrost cycle in frost free refrigerator?

- A) Relay  
 B) Timer  
 C) Defrost heater  
 D) Bimetal thermo

19. What is the cause for refrigerator door gap at closing position?

- A) Uneven condenser level  
 B) Either side gap less  
 C) Uneven floor level  
 D) Either side gap more

20. What is the working condition of component during defrost cycle in frost free refrigerator?

- A) Thermostat cuts off  
 B) Relay activated  
 C) Compressor is not running  
 D) Evaporator fan motor is running

21. What is the effect of bimetal thermo sticks in ON position in frost free refrigerator?

- A) No cooling  
 B) More cooling  
 C) Accumulation of frost  
 D) Poor cooling

22. What is the potential energy in a body of mass 10 kg kept on the top of a pole 20 metres height?

- A) 1952 Joules  
 B) 1972 Joules  
 C) 1942 Joules  
 D) 1962 Joules

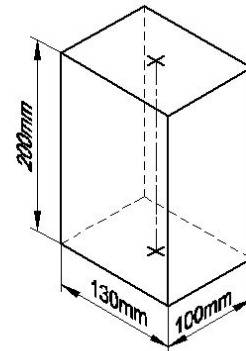
23. What is called if a body posses both magnitude and direction of velocity?

- A) Velocity  
 B) Vector quantity  
 C) Speed  
 D) Scalar quantity

24. What is the result if discharge reed is broken in open type compressor?

- A) No pumping  
 B) Poor pumping  
 C) More pumping  
 D) Oil pumping

25. Identify the name of prism? | ಪ್ರಿಸ್ಮ್ ಹೆಸರನ್ನು ಗುರುತಿಸುವುದೇ?



- A) Triangular prism | ತ್ರಿಕೋನ ಪ್ರಿಸ್ಮ್  
 B) Rectangle prism | ಆಯತ ಪ್ರಿಸ್ಮ್

C) Hexagonal prism |  
ಷಡ್ಭುಜೀಯ ಪ್ರಿಸ್ಮ

D) Square prism | ಚದರ ಪ್ರಿಸ್ಮ