

March 2026

Question Paper

Student: Anush kural
Score: 18/25 (72.00%)

Code: 9000

1. Which component defrosts in frost free refrigerator?

- A) Bulb
C) Thermostat
B) Heater (Correct)
D) Capillary tube

2. Which component switches ON/OFF the starting winding in RSIR motor?

- A) Thermostat
C) Relay (Correct)
B) Capacitor
D) OLP

3. Which domestic system uses automatic defrost?

- A) Frost free refrigerator (Correct)
C) Split air - conditioner
B) Conventional refrigerator
D) Window air - conditioner

4. Which sheet is used to check the tightness of door gasket of a refrigerator?

- A) Rubber (Incorrect)
C) Copper
B) Plastic
D) Zinc

5. How the capacity of refrigerator is expressed?

- A) Weightage
C) Wattage
B) Tonnage
D) Litres (Correct)

6. What is the temperature maintained in the refrigerator freezer?

- A) 0 Degree Centigrade
C) - 45 Degree Centigrade
B) - 15 Degree Centigrade (Correct)
D) - 65 Degree Centigrade

7. Which electrical control cuts off heating element in frost free refrigerator?

- A) Bimetal thermo
C) Relay
B) Thermostat (Incorrect)
D) Timer

8. What is the working condition of component during defrost cycle in frost free refrigerator?

- A) Evaporator fan motor is running
C) Thermostat cuts off
B) Compressor is not running (Correct)
D) Relay activated

9. Which component actuates the defrost cycle in frost free refrigerator?

- A) Bimetal thermo
C) Timer (Correct)
B) Defrost heater
D) Relay

10. Which movement of plunger energises the start winding in relay operation?

- A) Vertically up (Correct)
C) Vertically down
B) Bottom side
D) Horizontally left

11. What is the advantage of sealed system compared to open type system?

- A) Mechanical efficiency is greater
C) Any refrigerant can be used
B) Cylinder lubrication is easier
D) No shaft seal is required (Correct)

12. What is the effect of bimetal thermo sticks in ON position in frost free refrigerator?

- A) Accumulation of frost (Incorrect)
C) Poor cooling
B) More cooling
D) No cooling

13. What is the cause for refrigerator door gap at closing position?

- A) Uneven floor level (Correct)
C) Either side gap less
B) Either side gap more
D) Uneven condenser level

14. Which component is replaced to prevent air entering the refrigerator cabinet?

- A) Thermostat
C) Door paint
B) Door gasket (Correct)
D) Door hinges

15. What is the result if discharge reed is broken in open type compressor?

- A) Poor pumping (Incorrect)
C) Oil pumping
B) More pumping
D) No pumping

16. What is the unit of speed?

- A) Metre/second (Correct)
C) Metre/minute
B) Metre/second²
D) Metre/hour

17. What is called if a body posses both magnitude and direction of velocity?

- A) Speed
C) Vector quantity
B) Velocity (Incorrect)
D) Scalar quantity

18. What is velocity of a body travels a distance of 168

metres in a line in 21 seconds?

- A) 6 m/sec
C) 10 m/sec
B) 8 m/sec (Correct)
D) 12 m/sec

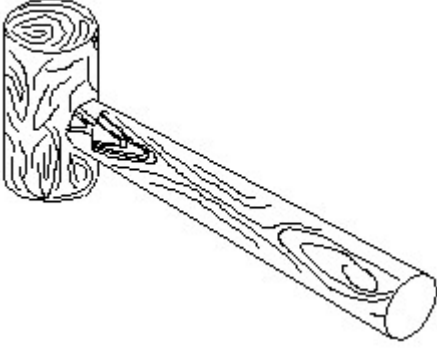
19. What is the potential energy, if a body of mass 250 kg is at a height of 30 metre?

- A) 72.57 KJ
C) 74.57 KJ
B) 73.57 KJ (Correct)
D) 75.57 KJ

20. What is the potential energy in a body of mass 10 kg kept on the top of a pole 20 metres height?

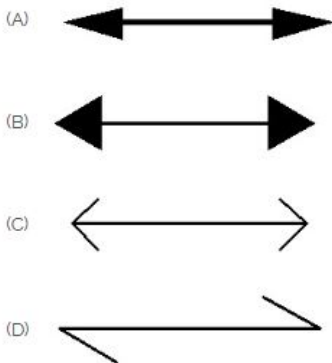
- A) 1942 Joules
C) 1962 Joules (Correct)
B) 1952 Joules
D) 1972 Joules

21. Identify the name of tool? | ಉಪಕರಣದ ಹೆಸರನ್ನು ಗುರುತಿಸುವುದೇ?



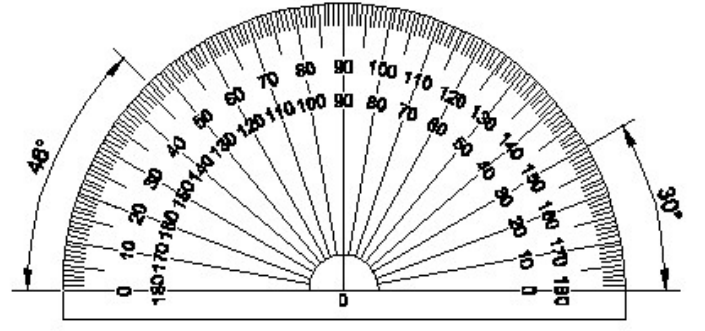
- A) Ball pein hammer | ಬಾಲ್ ಪೆನ್ ಸುತ್ತಿಗೆ (Incorrect)
C) Cross pein hammer | ಕ್ರಾಸ್ ಪೆನ್ ಸುತ್ತಿಗೆ
B) Mallet | ಮ್ಯಾಲೆಟ್ (Correct)
D) Straight pein hammer | ಸ್ಟ್ರೇಟ್ ಪೆನ್ ಸುತ್ತಿಗೆ

22. Which arrow head is correct as per standard? | ಮಾನದಂಡದ ಪ್ರಕಾರ ಯಾವ ಬಾಣದ ಹೆಡ್ ಸರಿಯಾಗಿದೆ?



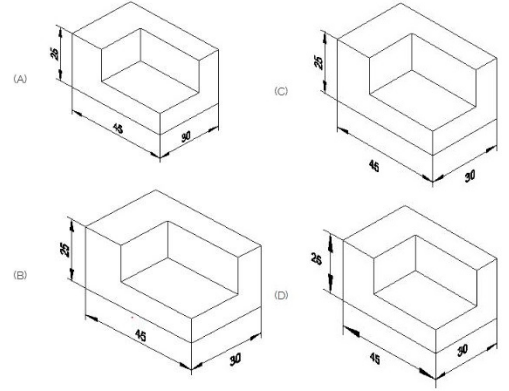
- A) A (Correct)
C) C
B) B
D) D

23. Identify the name of instrument? | ಉಪಕರಣದ ಹೆಸರನ್ನು ಗುರುತಿಸುವುದೇ?



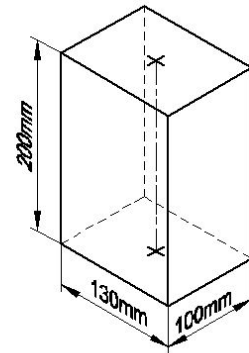
- A) Set square | ಸೆಟ್ ಸ್ಕ್ವೇರ್
C) French curve | ಫ್ರೆಂಚ್ ಕರ್ವ್
B) Protractor | ಪ್ರೊಟ್ರಾಕ್ಟರ್ (Correct)
D) T square | ಟಿ ಸ್ಕ್ವೇರ್

24. Which drawing dimension is correct as per standard drawing practice? | ಸ್ಟಾಂಡರ್ಡ್ ಡ್ರಾಯಿಂಗ್ ಅಭ್ಯಾಸದ ಪ್ರಕಾರ ಯಾವ ಡ್ರಾಯಿಂಗ್ ಆಯಾಮ ಸರಿಯಾಗಿದೆ?



- A) A
C) C (Incorrect)
B) B
D) D

25. Identify the name of prism? | ಪ್ರಿಸ್ಮ್ ಹೆಸರನ್ನು ಗುರುತಿಸುವುದೇ?



- A) Rectangle prism | ಆಯತ ಪ್ರಿಸ್ಮ್ (Correct)
C) Triangular prism | ತ್ರಿಕೋನ ಪ್ರಿಸ್ಮ್
B) Square prism | ಚದರ ಪ್ರಿಸ್ಮ್
D) Hexagonal prism | ಷಡ್ಭುಜೀಯ ಪ್ರಿಸ್ಮ್