

March 2026

Question Paper

Student: Sushanth acharya

Score: 16/25 (64.00%)

Code: 2727

1. Which component defrosts in frost free refrigerator?

- A) Bulb
C) Thermostat
- B) Heater (Correct)**
D) Capillary tube

2. Which component switches ON/OFF the starting winding in RSIR motor?

- A) Thermostat
C) Relay (Correct)
- B) Capacitor
D) OLP

3. Which domestic system uses automatic defrost?

- A) Frost free refrigerator (Correct)**
C) Split air - conditioner
- B) Conventional refrigerator
D) Window air - conditioner

4. Which sheet is used to check the tightness of door gasket of a refrigerator?

- A) Rubber (Incorrect)
C) Copper
- B) Plastic**
D) Zinc

5. How the capacity of refrigerator is expressed?

- A) Weightage
C) Wattage
- B) Tonnage
D) Litres (Correct)

6. What is the temperature maintained in the refrigerator freezer?

- A) 0 Degree Centigrade (Incorrect)
C) - 45 Degree Centigrade
- B) - 15 Degree Centigrade**
D) - 65 Degree Centigrade

7. Which electrical control cuts off heating element in frost free refrigerator?

- A) Bimetal thermo**
C) Relay
- B) Thermostat
D) Timer (Incorrect)

8. What is the working condition of component during defrost cycle in frost free refrigerator?

- A) Evaporator fan motor is running
C) Thermostat cuts off
- B) Compressor is not running (Correct)**
D) Relay activated

9. Which component actuates the defrost cycle in frost free refrigerator?

- A) Bimetal thermo
C) Timer (Correct)
- B) Defrost heater
D) Relay

10. Which movement of plunger energises the start winding in relay operation?

- A) Vertically up (Correct)**
C) Vertically down
- B) Bottom side
D) Horizontally left

11. What is the advantage of sealed system compared to open type system?

- A) Mechanical efficiency is greater
C) Any refrigerant can be used (Incorrect)
- B) Cylinder lubrication is easier
D) No shaft seal is required

12. What is the effect of bimetal thermo sticks in ON position in frost free refrigerator?

- A) Accumulation of frost (Incorrect)
C) Poor cooling
- B) More cooling
D) No cooling

13. What is the cause for refrigerator door gap at closing position?

- A) Uneven floor level (Correct)**
C) Either side gap less
- B) Either side gap more
D) Uneven condenser level

14. Which component is replaced to prevent air entering the refrigerator cabinet?

- A) Thermostat
C) Door paint
- B) Door gasket (Correct)**
D) Door hinges

15. What is the result if discharge reed is broken in open type compressor?

- A) Poor pumping
C) Oil pumping
- B) More pumping
D) No pumping (Correct)

16. What is the unit of speed?

- A) Metre/second (Correct)**
C) Metre/minute
- B) Metre/second²
D) Metre/hour

17. What is called if a body posses both magnitude and direction of velocity?

- A) Speed
C) Vector quantity (Correct)
- B) Velocity
D) Scalar quantity

18. What is velocity of a body travels a distance of 168 metres in a line in 21 seconds?

- A) 6 m/sec
B) 8 m/sec (Correct)
C) 10 m/sec
D) 12 m/sec

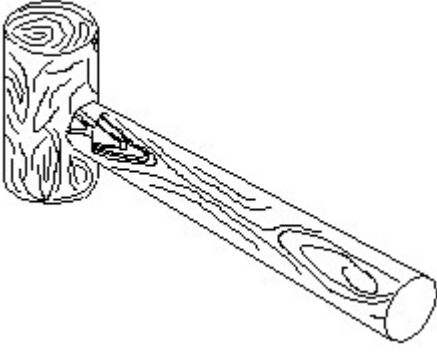
19. What is the potential energy, if a body of mass 250 kg is at a height of 30 metre?

- A) 72.57 KJ
B) 73.57 KJ (Correct)
C) 74.57 KJ
D) 75.57 KJ

20. What is the potential energy in a body of mass 10 kg kept on the top of a pole 20 metres height?

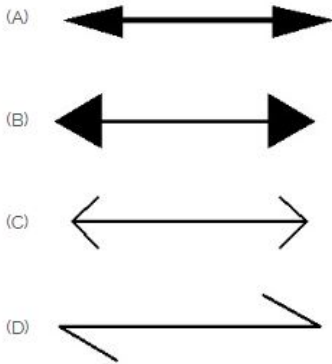
- A) 1942 Joules
B) 1952 Joules (Incorrect)
C) 1962 Joules
D) 1972 Joules

21. Identify the name of tool? | ಉಪಕರಣದ ಹೆಸರನ್ನು ಗುರುತಿಸುವುದೇ?



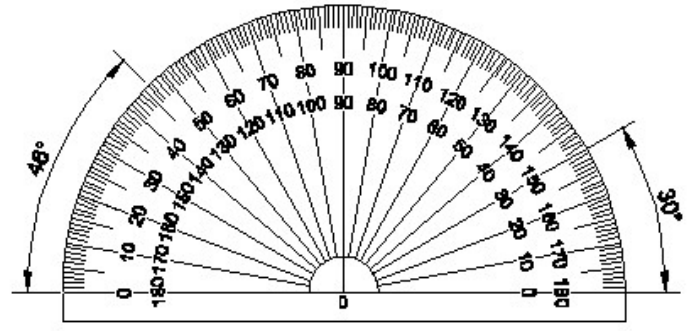
- A) Ball pein hammer | ಬಾಲ್ ಪೆನ್ ಸುತ್ತಿಗೆ
B) Mallet | ಮ್ಯಾಲೆಟ್ (Correct)
C) Cross pein hammer | ಕ್ರಾಸ್ ಪೀನ್ ಸುತ್ತಿಗೆ
D) Straight pein hammer | ಸ್ಟ್ರೈಟ್ ಪೆನ್ ಸುತ್ತಿಗೆ

22. Which arrow head is correct as per standard? | ಮಾನದಂಡದ ಪ್ರಕಾರ ಯಾವ ಬಾಣದ ಹೆಡ್ ಸರಿಯಾಗಿದೆ?



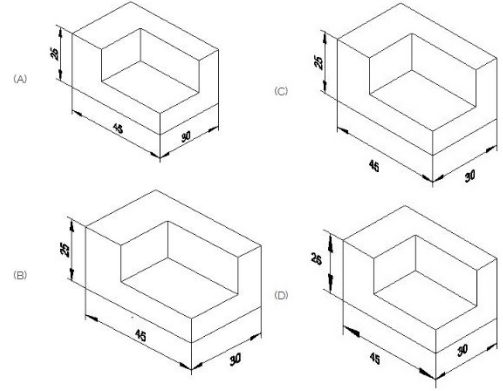
- A) A
B) B (Incorrect)
C) C
D) D

23. Identify the name of instrument? | ಉಪಕರಣದ ಹೆಸರನ್ನು ಗುರುತಿಸುವುದೇ?



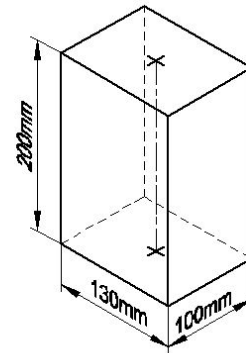
- A) Set square | ಸೆಟ್ ಸ್ಕ್ವೇರ್ (Incorrect)
B) Protractor | ಪ್ರೊಟ್ರಾಕ್ಟರ್ (Correct)
C) French curve | ಫ್ರೆಂಚ್ ಕರ್ವ್
D) T square | ಟಿ ಸ್ಕ್ವೇರ್

24. Which drawing dimension is correct as per standard drawing practice? | ಸ್ಟಾಂಡರ್ಡ್ ಡ್ರಾಯಿಂಗ್ ಅಭ್ಯಾಸದ ಪ್ರಕಾರ ಯಾವ ಡ್ರಾಯಿಂಗ್ ಆಯಾಮ ಸರಿಯಾಗಿದೆ?



- A) A
B) B
C) C
D) D (Incorrect)

25. Identify the name of prism? | ಪ್ರಿಸ್ಮ್ ಹೆಸರನ್ನು ಗುರುತಿಸುವುದೇ?



- A) Rectangle prism | ಆಯತ ಪ್ರಿಸ್ಮ್ (Correct)
B) Square prism | ಚದರ ಪ್ರಿಸ್ಮ್
C) Triangular prism | ತ್ರಿಕೋನ ಪ್ರಿಸ್ಮ್
D) Hexagonal prism | ಷಡ್ಭುಜೀಯ ಪ್ರಿಸ್ಮ್