

March 2026

Question Paper

Student: Thanmai kural

Score: 22/25 (88.00%)

Code: 1441

1. Which component defrosts in frost free refrigerator?

- A) Bulb
C) Thermostat
- B) Heater (Correct)**
D) Capillary tube

2. Which component switches ON/OFF the starting winding in RSIR motor?

- A) Thermostat
C) Relay (Correct)
- B) Capacitor
D) OLP

3. Which domestic system uses automatic defrost?

- A) Frost free refrigerator (Correct)**
C) Split air - conditioner
- B) Conventional refrigerator
D) Window air - conditioner

4. Which sheet is used to check the tightness of door gasket of a refrigerator?

- A) Rubber
C) Copper
- B) Plastic (Correct)**
D) Zinc

5. How the capacity of refrigerator is expressed?

- A) Weightage
C) Wattage
- B) Tonnage
D) Litres (Correct)

6. What is the temperature maintained in the refrigerator freezer?

- A) 0 Degree Centigrade
C) - 45 Degree Centigrade
- B) - 15 Degree Centigrade (Correct)**
D) - 65 Degree Centigrade

7. Which electrical control cuts off heating element in frost free refrigerator?

- A) Bimetal thermo (Correct)**
C) Relay
- B) Thermostat
D) Timer

8. What is the working condition of component during defrost cycle in frost free refrigerator?

- A) Evaporator fan motor is running
C) Thermostat cuts off
- B) Compressor is not running (Correct)**
D) Relay activated

9. Which component actuates the defrost cycle in frost free refrigerator?

- A) Bimetal thermo
B) Defrost heater

C) Timer (Correct)

D) Relay

10. Which movement of plunger energises the start winding in relay operation?

- A) Vertically up (Correct)**
C) Vertically down
- B) Bottom side
D) Horizontally left

11. What is the advantage of sealed system compared to open type system?

- A) Mechanical efficiency is greater
C) Any refrigerant can be used
- B) Cylinder lubrication is easier
D) No shaft seal is required (Correct)

12. What is the effect of bimetal thermo sticks in ON position in frost free refrigerator?

- A) Accumulation of frost (Incorrect)
C) Poor cooling
- B) More cooling
D) No cooling

13. What is the cause for refrigerator door gap at closing position?

- A) Uneven floor level (Correct)**
C) Either side gap less
- B) Either side gap more
D) Uneven condenser level

14. Which component is replaced to prevent air entering the refrigerator cabinet?

- A) Thermostat
C) Door paint
- B) Door gasket (Correct)**
D) Door hinges

15. What is the result if discharge reed is broken in open type compressor?

- A) Poor pumping
C) Oil pumping
- B) More pumping
D) No pumping (Correct)

16. What is the unit of speed?

- A) Metre/second (Correct)**
C) Metre/minute
- B) Metre/second
D) Metre/hour

17. What is called if a body posses both magnitude and direction of velocity?

- A) Speed
B) Velocity

C) Vector quantity
(Correct)

D) Scalar quantity

18. What is velocity of a body travels a distance of 168 metres in a line in 21 seconds?

- A) 6 m/sec
C) 10 m/sec

- B) 8 m/sec (Correct)
D) 12 m/sec

19. What is the potential energy, if a body of mass 250 kg is at a height of 30 metre?

- A) 72.57 KJ
C) 74.57 KJ

- B) 73.57 KJ (Correct)
D) 75.57 KJ

20. What is the potential energy in a body of mass 10 kg kept on the top of a pole 20 metres height?

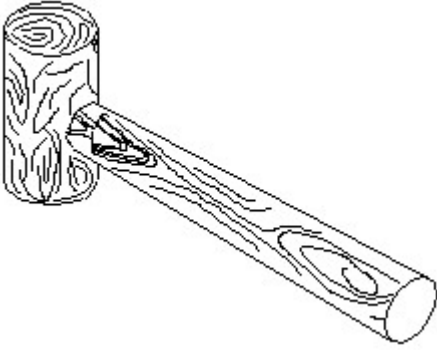
- A) 1942 Joules

- B) 1952 Joules

C) 1962 Joules (Correct)

- D) 1972 Joules

21. Identify the name of tool? | ಉಪಕರಣದ ಹೆಸರನ್ನು ಗುರುತಿಸುವುದೇ?



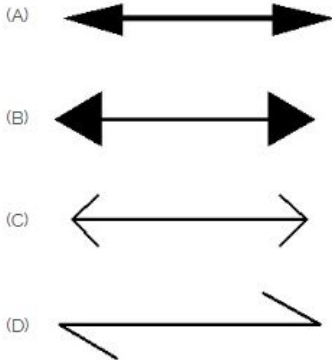
A) Ball pein hammer | ಬಾಲ್ ಪೆನ್ ಸುತ್ತಿಗೆ

B) Mallet | ಮ್ಯಾಲೆಟ್ (Correct)

C) Cross pein hammer | ಕ್ರಾಸ್ ಪೀನ್ ಸುತ್ತಿಗೆ

D) Straight pein hammer | ಸ್ಟ್ರೈಟ್ ಪೆಯಿನ್ ಸುತ್ತಿಗೆ

22. Which arrow head is correct as per standard? | ಮಾನದಂಡದ ಪ್ರಕಾರ ಯಾವ ಬಾಣದ ಹೆಡ್ ಸರಿಯಾಗಿದೆ?



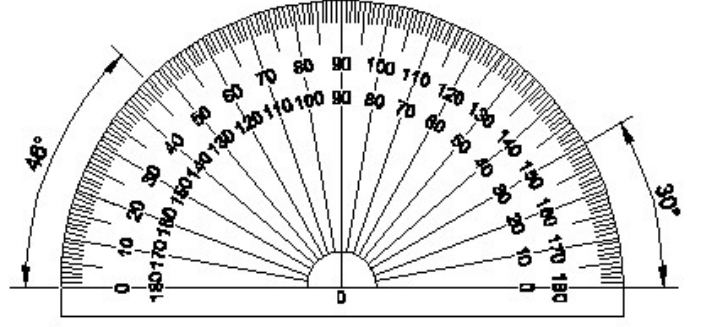
A) A

B) B (Incorrect)

C) C

D) D

23. Identify the name of instrument? | ಉಪಕರಣದ ಹೆಸರನ್ನು ಗುರುತಿಸುವುದೇ?



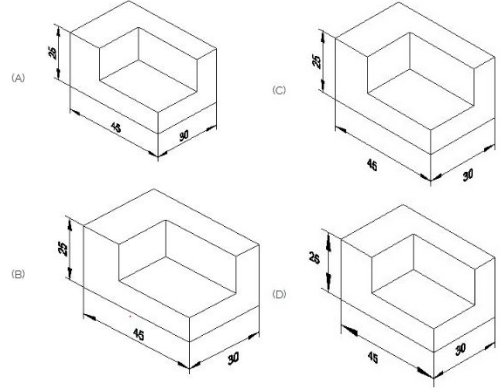
A) Set square | ಸೆಟ್ ಸ್ಕ್ವೇರ್

B) Protractor | ಪ್ರೊಟ್ರಾಕ್ಟರ್ (Correct)

C) French curve | ಫ್ರೆಂಚ್ ಕರ್ವ್

D) T square | ಟಿ ಸ್ಕ್ವೇರ್

24. Which drawing dimension is correct as per standard drawing practice? | ಸ್ಟಾಂಡರ್ಡ್ ಡ್ರಾಯಿಂಗ್ ಅಭ್ಯಾಸದ ಪ್ರಕಾರ ಯಾವ ಡ್ರಾಯಿಂಗ್ ಆಯಾಮ ಸರಿಯಾಗಿದೆ?



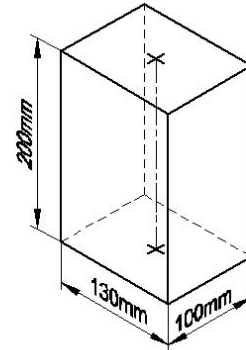
A) A

B) B

C) C

D) D (Incorrect)

25. Identify the name of prism? | ಪ್ರಿಸ್ಮ್ ಹೆಸರನ್ನು ಗುರುತಿಸುವುದೇ?



A) Rectangle prism | ಆಯತ ಪ್ರಿಸ್ಮ್ (Correct)

B) Square prism | ಚದರ ಪ್ರಿಸ್ಮ್

C) Triangular prism | ತ್ರಿಕೋನ ಪ್ರಿಸ್ಮ್

D) Hexagonal prism | ಷಡ್ಭುಜೀಯ ಪ್ರಿಸ್ಮ್